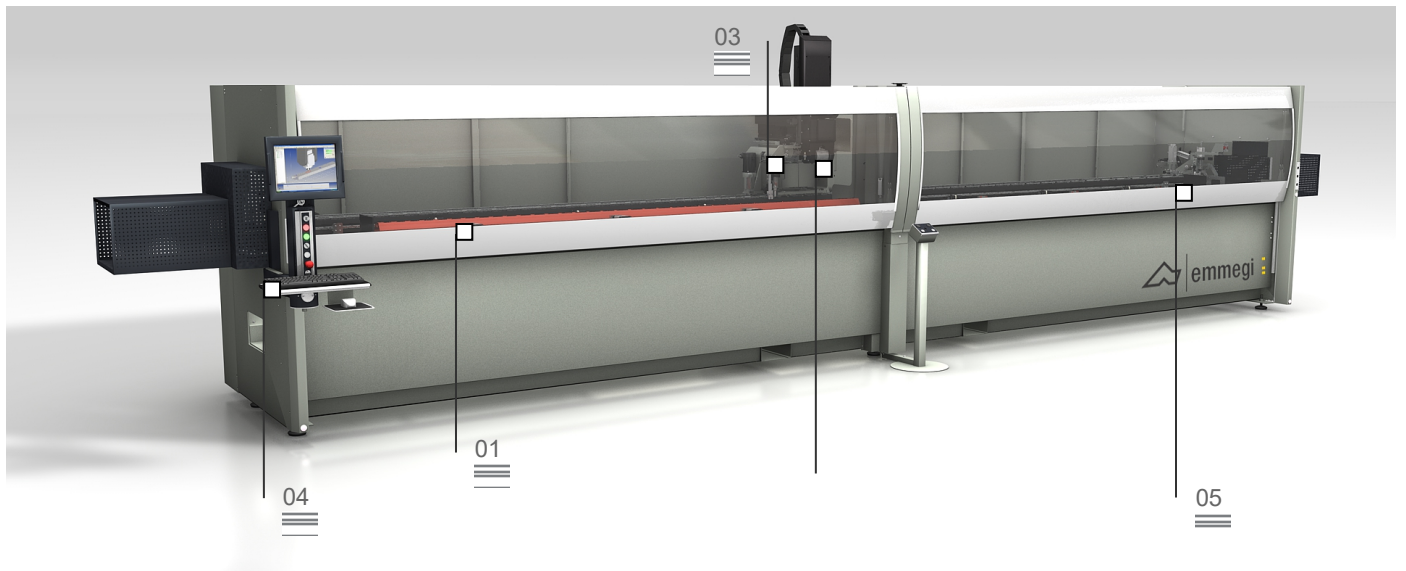


Phantomatic X6

4-axis machining centre

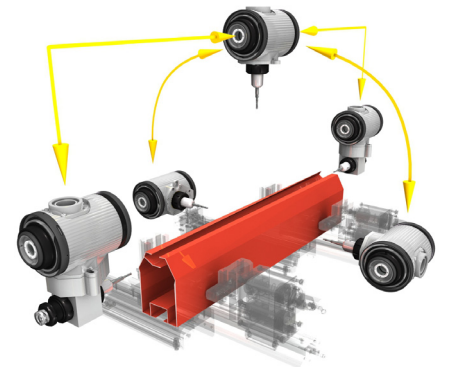
Clamps 01

Electric head 02



Machining centre CNC with 4 controlled axes, used for the working of bars of aluminium, PVC, light alloys in general and steel pieces up to 2 mm.
 All models can operate in single piece and multi piece mode, with a single work area for bars up to 7.7 m in length. The PHANTOMATIC X6 and PHANTOMATIC X6 HP models allow machining in pendular mode, with two independent machining areas. The PHANTOMATIC X6 HP version, with 2 supplementary axes to position the clamps and the reference stops allows operation in dynamic pendular mode, carrying out clamps positioning while the machine is working.
 Each model has an 8 place tools storage, on the on X axis truck, with the possibility of hosting an angular unit and a milling disc, to perform machining on the 5 sides of the piece. The 4th CN axis allows the electro spindle to continuously rotate from 0° to 180° to perform work on the profile edge.
 It also has a mobile work surface that facilitates the piece loading/unloading operation and significantly increases the workable section.

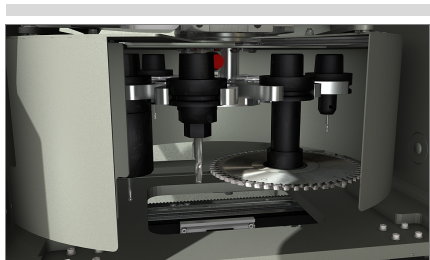
Working capacity



Tool Magazine 03

Operator Interface 04

Swing mode 05



The images are only given for illustrative purposes

Phantomatic X6

4-axis machining centre

01

Clamps

The machine software, depending on the length of the piece and the work to be carried out, is able to safely determine the positioning quota of every clamp unit. The automatic positioning allows to hook every vice unit and move it by moving the truck. This operation happens with maximum speed and precision, avoiding long times and collision risks and making the machine easy to use, also by operators with less experience.

02

Electric head

The 7 kW electrospindle in S1 with high torque power, allows to carry out heavy-duty processing. The movement of the electrospindle along axis A allows to perform rotations from 0° to 180°, allowing to perform work on 3 sides of the profile, without having to move it. It can be used on certain types of extruded steel and on aluminium profiles, thanks to the availability of a lubrication plant, settable by software, which twin tank allows the use of both minimal diffusion oil and of oil mist emulsion.

03

Tool Magazine

The tool holding storage is integrated on the X axis, placed lower and in backward position compared to the electrospindle, allows a drastic time reduction for the tools change operation. This function is particularly useful when working head and tail of the extruded material, allowing to avoid the run to reach the storage, in that the same moves together with the electro spindle, in the relative positioning. The storage is able to contain up to 8 tool holders with respective tools, which can be configured at the discretion of the operator. A sensor detects the correct positioning of the cones.

04

Operator Interface

The new control version, with suspended interface, allows the operator to see the screen from any position, thanks to the possibility to rotate the monitor on the vertical axis. The operator interface has a 15" touch screen display with all USB connections necessary to remotely interface with PC and CN. It also has a push button control unit, a mouse and keyboard and is also arranged for the connection of a barcode reader and remote push button control unit. It is equipped with a front USB port for exchanging data.

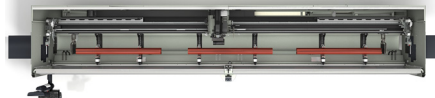
05

Swing mode

New work system that allows to reduce machine stand-still times to a minimum during the loading and unloading of the pieces to be worked. The system allows both the loading and the consequent working of the pieces with lengths, codes and different working, between the two work areas. This solution makes the machine advantageous in the metal fittings sector and in small job orders, where the working of small batches of different pieces is requested.



Single piece method



Multipiece method



Swing mode

AXES TRAVEL

AXIS X (longitudinal) (mm)	7.700
AXIS Y (transversal) (mm)	270
AXIS Z (vertical) (mm)	420
AXIS A (spindle rotation) (°)	0 ÷ 180
AXIS H/P (clamps positioning) (PHANTOMATIC X6 HP) (mm)	3.300

ELECTRO SPINDLE

Maximum power in S1 (kW)	7
Maximum speed (revs/min)	16.500
Tool attachment cone	HSK – 50F

AUTOMATIC TOOLS STORAGE ON TRUCK

Storage tools maximum number	8
Maximum number of angular units that can be inserted in tools storage	1
Maximum diameter blade that can be inserted in storage (mm)	Ø = 180

FUNCTIONALITY

Multipiece operation (PHANTOMATIC X6 M)	•
Pendular operation (PHANTOMATIC X6)	•
Dynamic pendular operation (PHANTOMATIC X6 HP)	•

WORKABLE SIDES

With direct tool (upper side and lateral sides)	3
With angular unit (heads)	2
With blade tool (upper side, lateral sides and heads)	1 + 2 + 2

TAPPING CAPACITY (with tap, on aluminium and through hole)

With compensator	M8
Stiff (optional)	M10

PROFILE POSITIONING

Piece reference stop with pneumatic movement	2
Automatic positioning stops via independent axes H and P (PHANTOMATIC X6 HP)	2

PIECE LOCKING

Vices standard number	6
Maximum number of clamps (PHANTOMATIC X6 M)	8
Maximum number of clamps (PHANTOMATIC X6 – PHANTOMATIC X6 HP)	12
Automatic clamp positioning via axis X (PHANTOMATIC X6 M – PHANTOMATIC X6)	•
Automatic positioning of clamps and piece reference stops via independent axes H and P (PHANTOMATIC X6 HP)	•

SAFETY DEVICES AND PROTECTIONS

Machine integral protection booth	•
-----------------------------------	---

- included
- available